



MLI
Marine
Low Inertia
Clutch

 **Wichita**[®]
Clutch

An Altra Industrial Motion Company

Performance

For heavy duty marine & offshore drive applications

Specially designed for quill-shaft mounting

Large friction area provides good control even in arduous start up conditions

This air applied clutch is available in 1,2,3 or 4 plate designs to suit torque, heat, response

Integral housing for quill support bearing

Air applied clutch with full circle friction discs

Air connection via rotary coupling mounted directly into front of clutch for fastest response time

For dry use only



MLI Clutch

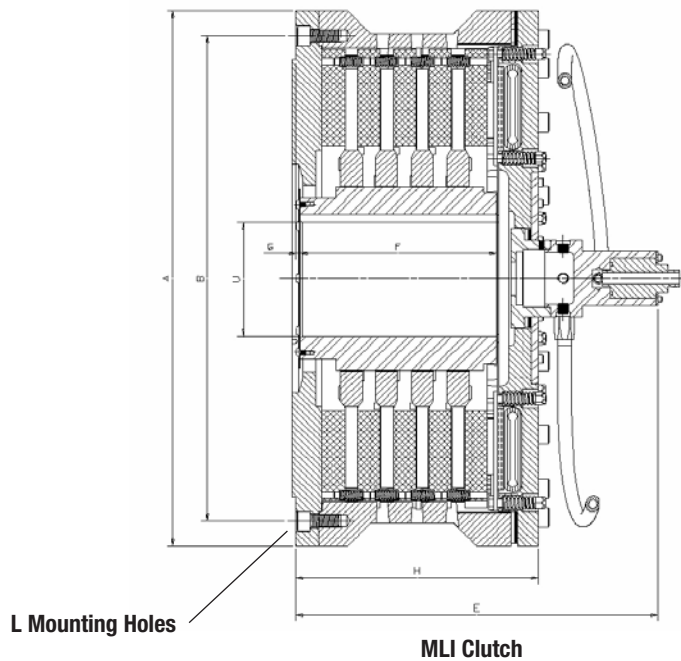
MODEL (CLUTCH)	DYNAMIC SLIP TORQUE (Nm) ⁽¹⁾		MAXIMUM SPEED (rev/min) ⁽²⁾		INERTIA = J = mr ² (kg m ²) ⁽³⁾		WEIGHT (kg) ⁽³⁾	
	7 bar	8.5 bar	Complete Clutch	Hub & C/P only	Total Clutch	Hub & C/P only (Inners)	Outer	Inner
MLI 114	3100	3750	1950	2420	2.5	0.250	96	24
MLI 214	6200	7500			3.0	0.450	114	36
MLI 314	9300	12000			3.5	0.650	122	50
MLI 116	4275	5200	1700	2110	4.5	0.400	134	33
MLI 216	8550	10400			5.5	0.675	149	47
MLI 316	12825	15600			6.5	0.990	163	67
MLI 118	7260	8800	1550	1880	7	0.623	174	43
MLI 218	14520	17600			8	1.146	194	61
MLI 318	21780	26400			9	1.70	213	27
MLI 221	19740	23900	1350	1610	16	1.25	265	80
MLI 321	29610	36000			20	2.50	295	116
MLI 421	39480	48000			24	3.7	305	153
MLI 224H	34550	42000	1100	1410	28	2.25	427	135
MLI 324H	51825	63000			33	4.25	469	191
MLI 424H	69100	83900			38	6.25	513	245
MLI 227	38840	47200	1090	1250	54	3.45	480	135
MLI 327	58260	70700			62	6.75	525	200
MLI 427	77680	94400			72	10.0	587	242
MLI 230H	75420	91600	1000	1130	98	8	764	239
MLI 330H	113130	137400			110	13	814	329
MLI 430H	150840	183200			123	19	872	419
MLI 236	114350	138900	800	940	145	21	1050	360
MLI 336	171525	208300			205	36	1130	475
MLI 436	228700	277700			265	51	1200	615
MLI 242	163320	198300	650	805	240	40	1040	440
MLI 342	244980	297500			310	72	1100	640
MLI 442	326640	396600			402	104	1163	915
MLI 248	302400	367200	580	705	700	197	1890	1137
MLI 348	453600	550800			968	291	2393	1502
MLI 448	604800	734400			1160	385	2895	1867
MLI 260	602000	731000	475	565	1800	208	4700	1370
MLI 360	902000	1096000			2400	335	5800	2000
MLI 460	1204000	1462000			3000	462	6900	2630

(1) Selection torque = nominal application torque x application service factor 'K'. "For preliminary selection use, 'K' is between 2.0 and 2.5. Always obtain selection confirmation from Wichita"

(2) Maximum allowable running speed. Guide for permissible engagement speed to be confirmed by an analysis of the clutch engagement work

(3) Certified prints should be obtained to determine exact weights and inertias of specific clutch designs

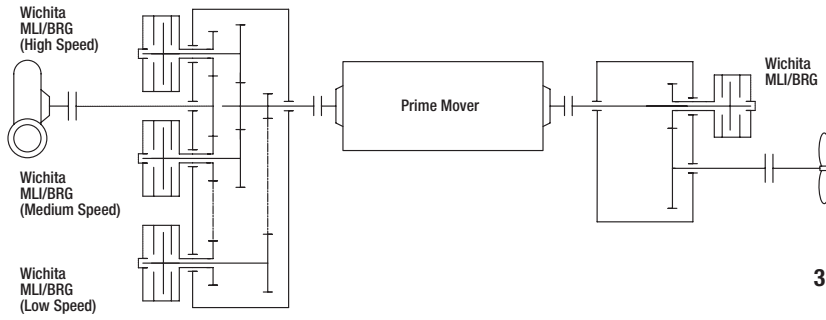
Dimensions



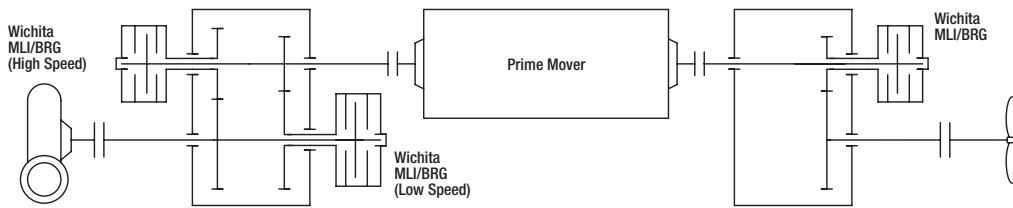
MODEL	A	B	E	F	G	H	L	HUB BORE (U)			
								MIN	MAX		
MLI 114	445	413	363	97	13	183	8 x M16	35	90		
MLI 214	445	413	414	148	13	234	8 x M16	35	90		
MLI 314	445	413	465	199	13	285	8 x M16	35	90		
MLI 116	508	476	370	106	13	190	12 x M16	35	102		
MLI 216	508	476	420	156	13	240	12 x M16	35	102		
MLI 316	508	476	470	206	13	290	12 x M16	35	102		
MLI 118	559	527	404	106	13	174	18 x M16	50	120		
MLI 218	559	527	454	156	13	194	18 x M16	50	120		
MLI 318	559	527	504	206	13	213	18 x M16	50	120		
MLI 221	632	600	505	194	15	265	18 x M16	50	152		
MLI 321	632	600	540	234	15	295	18 x M16	50	152		
MLI 421	632	600	575	274	15	305	18 x M16	50	152		
MLI 224H	736	692	570	170	15	427	30 x M16	50	185		
MLI 324H	736	692	514	230	15	469	30 x M16	50	185		
MLI 424H	736	692	560	290	15	513	30 x M16	50	185		
MLI 227	832	756	515	228	13	480	30 x M20	65	185		
MLI 327	832	756	560	288	13	525	30 x M20	65	185		
MLI 427	832	756	605	348	13	587	30 x M20	65	185		
MLI 230H	900	855	551	179	17	764	28 x M24	65	230		
MLI 330H	900	855	603	231	17	814	28 x M24	65	230		
MLI 430H	900	855	655	283	17	872	28 x M24	65	230		
MLI 236	1054	1010	650	255	15	1050	34 x M24	100	270		
MLI 336	1054	1010	695	315	15	1130	34 x M24	100	270		
MLI 436	1054	1010	740	375	15	1200	34 x M24	100	270		
MLI 242	1245	1181	662	216	30	1040	24 x M24	150	310		
MLI 342	1245	1181	724	278	30	1100	24 x M24	150	310		
MLI 442	1245	1181	786	340	30	1163	24 x M24	150	310		
MLI 248	1440	720	722	308	36	1890	24 x M36	200	325		
MLI 348	1440	720	834	420	36	2393	24 x M36	200	325		
MLI 448	1440	720	950	532	36	2895	24 x M36	200	325		
MLI 260	1790	1689	Please contact Wichita for specific assembly drawing								
MLI 360	1790	1689									
MLI 460	1790	1689									

Dimensions are subject to change without notice.
Obtain certified drawings for dimensions before final layout of machinery

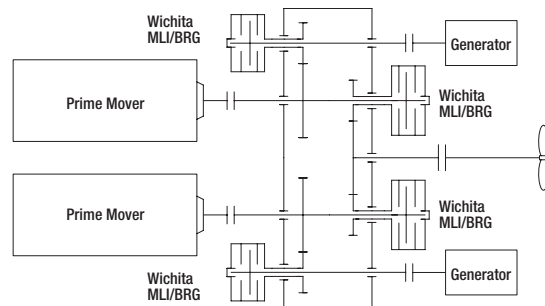
Propulsion Clutch Examples



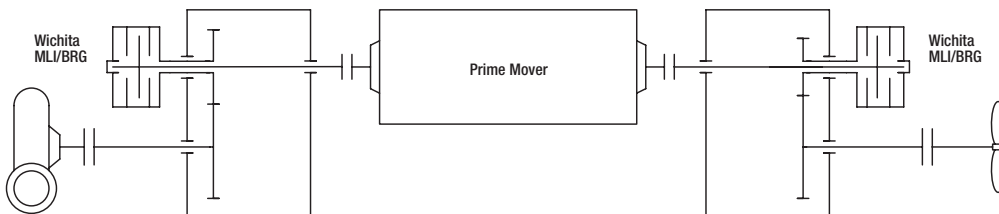
3 Speed Dredge Pump — Main Propulsion



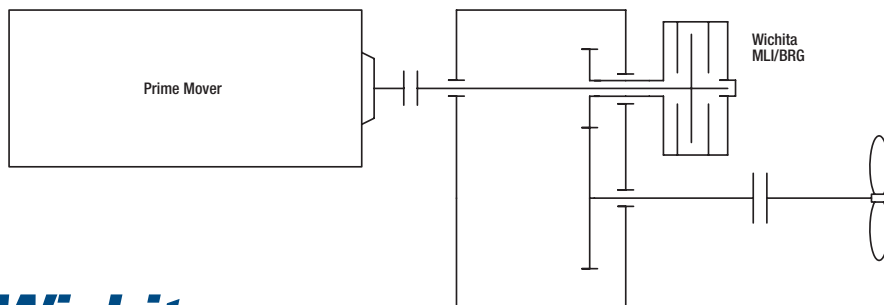
2 Speed Dredge Pump — Main Propulsion



Twin Input/Single Output Main Propulsion with Dual Generator Drive PTO



Single Speed Dredge Pump — Main Propulsion



Single Input/Output Main Propulsion



www.wichitaclutch.com

2800 Fisher Road
Wichita Falls, TX 76302 - USA
940-723-3400
Fax: 940-723-3436

www.wichitaclutch.co.uk

Amphill Road
Bedford MK42 9RD - UK
+44 (0) 1234 350311
Fax: +44 (0) 1234 350317