



**Model HC (Dry)  
Pneumatically  
or Hydraulically  
Actuated  
Clutches**



 **Wichita**<sup>®</sup>  
Clutch

An Altra Industrial Motion Company



## Model HC (Dry)

The Model HC (Dry Lining) clutches are designed to be used in either an end of shaft or through shaft mounting configuration. The use of 24 bar hydraulic actuation and multiple dry organic lined friction plates provides a clutch range with very high torque capability relative to overall diameter. The end result is a clutch that is compact dimensionally, whilst providing high torque solutions in the smallest envelope space.

The Model HC(D) clutches are provided with an internally splined outer drive ring for bolting to the users driving or driven member. The clutch can also be supplied without an external drive ring to allow for customers to incorporate the external drive spline within a component of their own manufacture. This possibility enables designs where minimal axial space is desirable, by allowing the clutch to fit within the customers driving or driven component.

Actuation pressure may come from either a pneumatic or hydraulic source. This pressure may be introduced through an axial hole provided at the shaft centreline, or, in the case of end shaft mounts, it may be introduced through a separate manifold.

All Torque transmitting members are designed to provide for continuous heavy duty industrial service. Hubs and drive rings are fully hardened and manufactured from high quality alloy steel forgings. Disc pack cores are designed using extra-heavy plate thicknesses to maximise torque and heat capacity.

Friction materials designed to provide for high thermal load acceptance and smooth engagement performance.

The clutch range is designed for use in harsh external environments benefitting from a completely enclosed design and incorporating a dust / water ingress seal between the rotating components. This makes it ideal for applications open to the elements. Optional 2 pack epoxy paint finishes provide additional protection and can be specified if required.

Winch connect / disconnect drives, conveyor or mill drives and multi-speed transmissions are but a few of the applications for the model HC/HCD dry lined clutch range.

## Operational Data

Clutch Model	Dynamic <sup>1)</sup> Torque (Nm)	Static <sup>1)</sup> Torque (Nm)	Actuator Volume (cm <sup>3</sup> )	Weight Outer (kg)	Weight Inner (kg)	MR <sup>2</sup> Outer (kgm <sup>2</sup> )	MR <sup>2</sup> Inner (kgm <sup>2</sup> )	Maximum <sup>2)</sup> RPM
HC-8-6	11,540	18,642	72	8	28	0.05	0.05	2600
HC-10-6	15,736	25,421	120	16.5	41.1	0.29	0.35	2200
HC-13-6	58,750	67,788	230	39	100	0.38	1.61	1700
HC-15-6	68,191	110,156	311	148	87	3.20	4	1450
HC-18-6	119,597	193,196	508	120	210	8	5.8	1200
HC-20-6	160,513	259,289	836	195	375	15.50	11.40	1100

1) Torque values specified are based upon an actuation pressure of 24bar hydraulic.

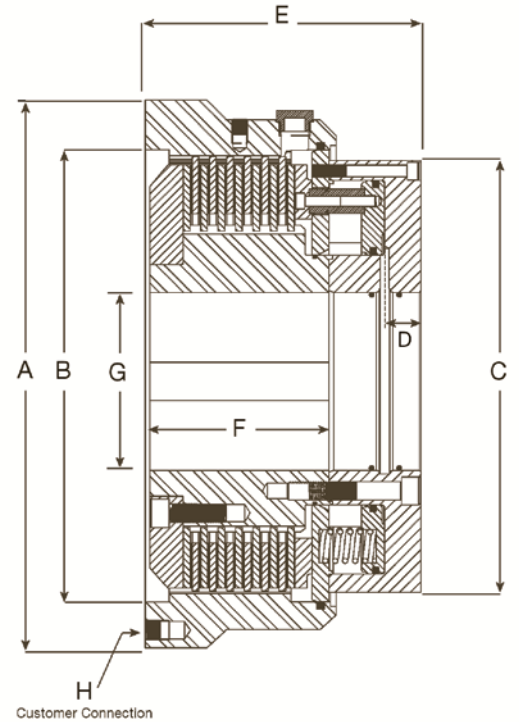
2) For maximum allowable clutch dynamic engaging speed, consult Wichita.



## Dimensional Data

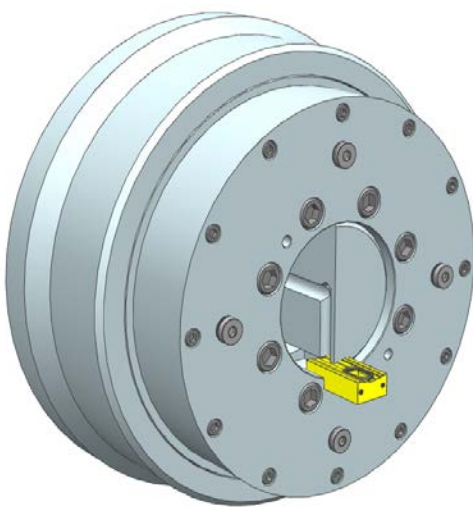
Clutch Model	A	B	C	D	E	F	Max. Bore G	Connection Threads H
HC-8-6	257	222	211	13	150	108	76	12 x M10
HC-10-6	298	264	249	14.2	166	117	100	12 x M10
HC-13-6	430	365	351	18.3	213	129	150	24 x M20
HC-15-6	513	418	400	19.8	240	157	165	24 x M24
HC-18-6	600	495	473	38	290	188	200	36 x M20
HC-20-6	660	546	524	44.4	312	201	230	36 x M24

Dimensions subject to change without notice. Use certified drawings only for final layouts.



Customer Connection  
Standard 'through shaft' oil feed for actuation. 'O' ring sealing on shaft.

## Actuation Oil Supply Options:



### Patented "Insert Seal Key"

- Can be fitted after the unit is secured on the shaft
- Minimum axial space required



### Direct Cylinder Hose Feed

- Cross drilled shaft and hoses

## Worldwide Distributors

Worldwide Support and Distributors

### Argentina

**TEKMATIC**  
(54114) 222-5040  
(54114) 201-2478  
info@tekmatic.com.ar

### Australia

**Altra Industrial Motion  
Australia (Pty) Ltd**  
+61 2 9894 0133  
+61 2 9894 0368  
sales@wamerelectric.com.au

### Austria

**Bibus Austria**  
+43 2242 33388  
+43 2242 3338810  
info@bibus.at

### Belgium

**AZ Hollink**  
+32 (0) 3 722 11 18  
+32 (0) 3 722 11 19  
info@azhollink.be

### Brazil

**KALATEC  
AUTOMACAO**  
(55193) 242-4797  
(55193) 243-4316  
kalatec@mpc.com.br

**WAD EQUIPAMENTOS**  
(55313) 439-3439  
(55313) 749-2129  
wadventas@terra.com.br

### Chile

**CORYMAR**  
(563) 268-2807  
(563) 297-8470  
corymar@entelchile.net

### KUPFER

(562) 696-5476  
(562) 211-9801  
akupfer@abkupfer.cl

### Columbia

**INDELEC LTDA.**  
(572) 683-3063  
(572) 660-2064  
indelec@indelec.com.co

### JUAN ARIAS

1 954 603 6334  
(571) 615-2420  
juan.arias@altramotion.com

**Sensores y Equipos**  
(574) 256-8301

### WARNER INDUSTRIAL

(571) 679-3323  
(571) 679-6672  
warnerind@tutopia.com

### Czech Republic

**Bibus s.r.o.**  
+42 547 125 300  
+42 547 125 319  
bibus@bibus.cz

### Denmark

**AVN Automation A/S**  
+45 70 20 04 11  
+45 86 80 55 88  
fb@avn.dk

### Ecuador

**HIVIMAR Av.**  
(5934) 268-1100  
(5934) 268-1199  
info@hivimar.com

### Egypt

**Itaco**  
+ 20 2 2272 5754  
+ 20 2 2273 7245  
itacou@link.net

### Eire

**Torsion Dynamics Ltd**  
+353 1 846 1677  
+353 1 846 1688  
torsion@iol.ie

### Finland

**Knorring Oy AB**  
+358 9 56041  
+358 9 565 2463  
knorring@co.inet.fi

### France

**Société Fogex**  
+33 1 34 34 46 00  
+33 1 34 34 46 01  
info@fogex.com

### Germany

**Stieber GmbH Abt.  
Wichita**  
+49 6221 3047 19  
+49 6221 3047 17  
sales@stieber.de

### Greece

**Dimitrios Deliyannis**  
+301 0610 8581  
+301 0610 8583  
delathen@ath.forthnet.gr

### Hong Kong

**Altra Industrial Motion  
Shui Hing Ltd**  
+852 2615 9313  
+852 2615 9162  
info@altramotion.com.cn

### Hungary

**Bibus Kft**  
+36 1 265 2733  
+36 1 264 8900  
info@bibus.hu

### India

**Francis Klein & Co.  
Pvt. Ltd**  
+91 20 255 397 70  
+91 20 255 397 71  
fkleinpune@francisklein.in

### Israel

**Larom Import  
Marketing**  
+972 499 37333  
+972 505 239552  
avi@larom-marketing.co.il

### Italy

**Bianchi Cuscini-  
netti, Componenti E  
Trasmissioni SpA**  
+39 02 678 61  
+39 02 670 1062  
info@bianchicuscini.netti.it

### Japan

**Japan Wichita Co Ltd**  
+ 81 3 3456 1461  
+ 81 3 3456 1484  
info@japanwichita.co.jp

### Mexico

**Industrial Magza,  
S.A. de G.V**  
68-63-28-31/55-60-00-53  
55-60-07-56  
magza@eclips.com.mx

### New Zealand

**Altra Industrial Motion  
Australia (Pty) Ltd**  
+61 2 9894 0133  
+61 2 9894 0368  
sales@wamerelectric.com.au

### Norway

**Betamo A S**  
+47 6927 5510  
+47 6927 4550  
benghans@c2i.net

### Peru

**BC Bearing Peru**  
(51 1) 561-9868  
ventas-stgo@bcbearing.cl

### Philippines

**Altra Industrial Motion  
(Singapore) Pte. Ltd**  
+ 65 6487 4464  
+ 65 6487 6674  
sales@wamerelectric.com.sg

### Poland

**Bibus Menos Sp.  
z.o.o.**  
+48 58 660 95 70  
+48 58 661 71 32  
info@bibusmenos.pl

### Portugal

**Pinhol, Gomes &  
Gomes Lda**  
+ 351 21 425 6850  
+ 351 21 425 6859  
import.export@pinhol.  
com.pt

### Singapore

**Altra Industrial Motion  
(Singapore) Pte. Ltd**  
+ 65 487 4464  
+ 65 487 6674  
sales@altramotion.com.sg

### Slovakia

**Bibus SK s.r.o**  
+421 37/777 79 11  
+421 3765 16701

### Slovenia

**INOTEH d.o.o.**  
+38 626 651 131  
+38 626 652 081  
info@inoteh.si

### South Africa

**Sintech Torque  
Control**  
+ 27 11 823 2359  
+ 27 11 823 2387  
sales@sintech.co.za

### Spain

**S.I.T. Sociedad  
Industrial De  
Transmisiones, SA**  
+34 943 45 7200  
+34 943 46 3356  
atencioncliente@sitsa.es

### Sweden

**LÖNNE  
SCANDINAVIA AB**  
+46 (0) 42 38 03 00  
+46 (0) 42 38 03 09  
info.sweden@lonne.com

### Switzerland

**Laesser AG**  
+41 62 791 6841  
+41 62 791 3903  
info@laesser-ag.ch

### Taiwan

**Warner Electric  
(Taiwan) Ltd**  
+ 886 2 577 8156  
+ 886 2 570 6358  
sales@altramotion.  
com.tw

### Thailand

**Altra Industrial Motion  
(Industrial) Ltd**  
+ 662 322 5527  
+ 662 320 2380  
kittipong.brahmasakha@  
wamerelectric-ap.com

### The Netherlands

**Stemin Power  
Transmission**  
+31 (0)573 252043  
+31 (0)573 257113 &  
256009  
info@stemin.nl

### Turkey

**BIBUS Otomasyon  
San ve Tic.Ltd.Sti.**  
+90 212 293 82  
+90 212 249 88 34  
info@bibus.com.tr

### Teka Teknik Cihazlar Sanayi ve Ticaret AS

+90 212 274 5124  
+90 212 272 1568  
skaya@tekat teknik.com.tr

### U.S.A.

### Industrial Clutch Products

+1 262 547 3357  
+1 262 547 2949  
info@indclutch.com

### Wichita Clutch

+1 940 767 2000  
+1 940 723 3436  
wichita.info@wichitaclutch.com

### Venezuela

**TRP2800 C.A. CC y  
professional** Ceravica  
Of. 7  
(58241) 617-2033  
(58241) 825-8073  
trp2800@telcel.net.ve

### W Malaysia

**Altra Industrial Motion  
(Singapore) Pte. Ltd**  
+ 65 487 4464  
+ 65 487 6674  
sales@altramotion.com.sg



[www.wichitaclutch.com](http://www.wichitaclutch.com)

2800 Fisher Road  
Wichita Falls, TX 76302 - USA  
940-723-3400  
Fax: 940-723-3436

[www.wichita.co.uk](http://www.wichita.co.uk)

Amphill Road  
Bedford MK42 9RD - UK  
+44 (0) 1234 350311  
Fax: +44 (0) 1234 350317