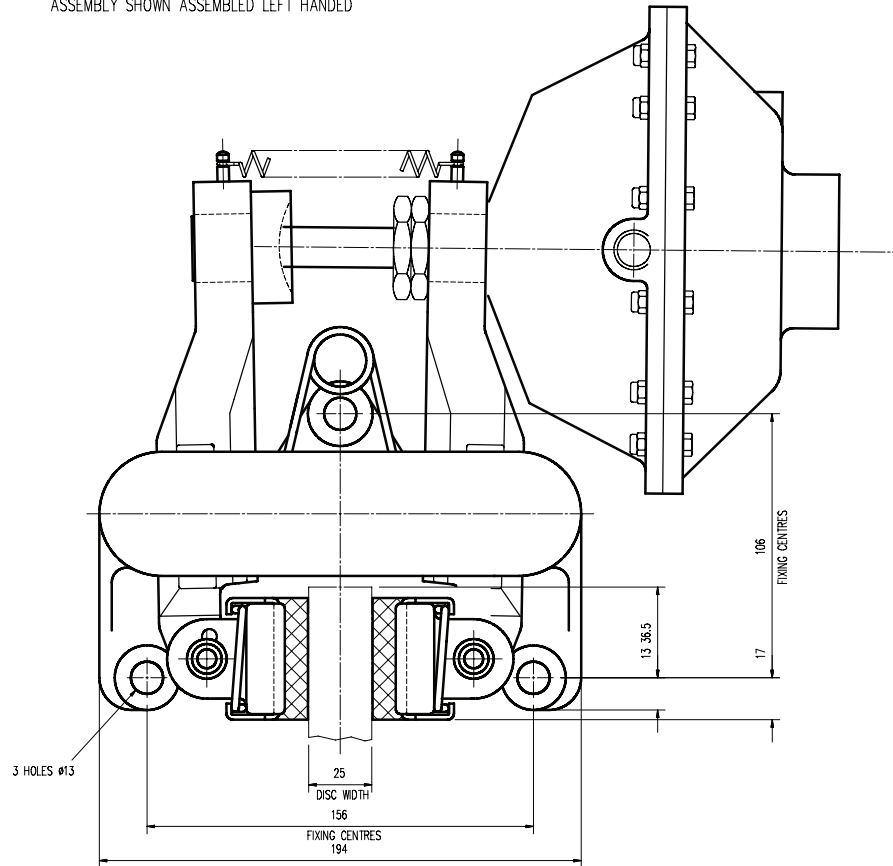


ASSEMBLY SHOWN ASSEMBLED LEFT HANDED



ISSUE No.	ALT.No.	DATE	DESCRIPTION	GRD REF
A		26/02/07		
			ALTERATION	



www.twiflex.com
 9 Briar Road, Twickenham
 Middlesex TW2 6RB - England
 +44 (0) 20 8894 1161
 Fax: +44 (0) 20 8755 5601

DIMENSIONS IN mm.
 OPEN TOLERANCES ± 0.25
 ANGLES ± 0.5°
 GENERAL M/C FINISH = 1.6 µm
 SURFACE FINISH IN MICRONS
 e.g. $\frac{2}{2}$ = 2 MICRONS
 (= 0.002mm) CLA
 (= 80 MICRO-INCHES CLA)

CERT'D	
CHECKED	
DRAWN	I L-W
DATE	26/02/07
SCALE	1:1

DESCRIPTION	
CALIPER ASSEMBLY, MR25S	
MATERIAL	FINISH

INERTIA	WEIGHT
kg m ²	kg
PART No.	
DRG. No.	

THIS ISSUE A