

I N T R O D U C I N G

T30 Topdrive Caliper Brake

for Oil and Gas Applications

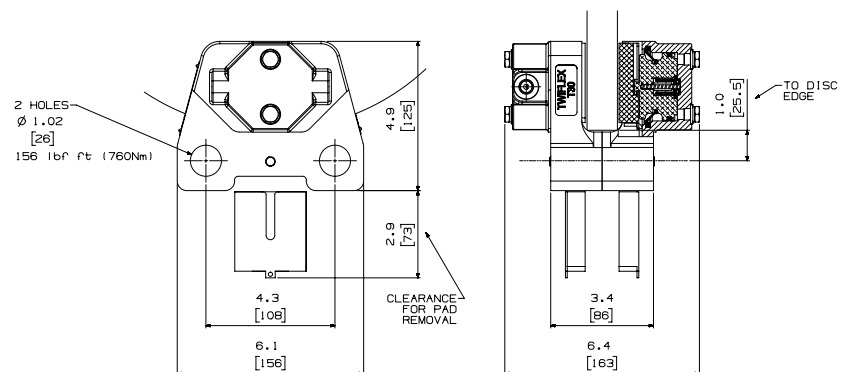

NEW

Twiflex T30 Caliper Brake

The Twiflex T30 is a pressure applied modular brake design, developed to provide a high braking force capacity from a compact assembly.

It features a split housing for flexibility of mounting and accommodation of a variety of disc thicknesses.

- 120 bar (1740 psi) operating pressure produces 25.4 kN (5710 lb) braking force
- Side or centre-mount arrangement
- Compact, robust housing design
- #4 SAE o-ring port per SAE J1926/1: 7/16-20
- Self-adjusting mechanism maintains a constant air gap for consistent response times
- Minimum disc diameter of 245 mm (9.6 in)
- Standard disc thickness 25.4 mm (1.0 in)
- Design operating range between from -20°C to +70°C (-4°F and 158°F)
- Custom levels of finish and protection available



I N T R O D U C I N G

118VM Topdrive Plate Brake

for Oil and Gas Applications


NEW


Wichita 118VM Plate Brake

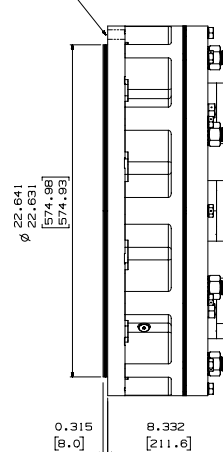
The Wichita "VM" brake is a hydraulic pressure applied, single-plate unit designed for high energy dynamic stops, and parking, in vertical-shaft mounted applications. It is intended to install on the upper end of a top-drive motor.

It features a sealed piston holding plate to protect against the ingress of dirt and moisture, when fitted with a sealed cover, or may accommodate a speed encoder in the same location.

- Designed for ATEX Zone 1 CAT II, Gas B, T3
- 140 bar (2030 psi) operating pressure generates 12.0 kNm (8850 lbft) dynamic torque
- Ambient operating range from -45°C to +55°C (-49°F to 131°F)
- Maximum disengaged speed of 3000 rpm
- Maximum engaging speed of 1500 rpm



12 OFF FIXATION HOLES
TO SUIT 5/8" UNC (M18)
BOLTS EQUI-SPACED ON A
24.055 (611) PCD



INTERFACE PROVISION
FOR OPTICAL ENCODER

